

SUCTION CUPS

14

**Material-Handling
Suction Cups**

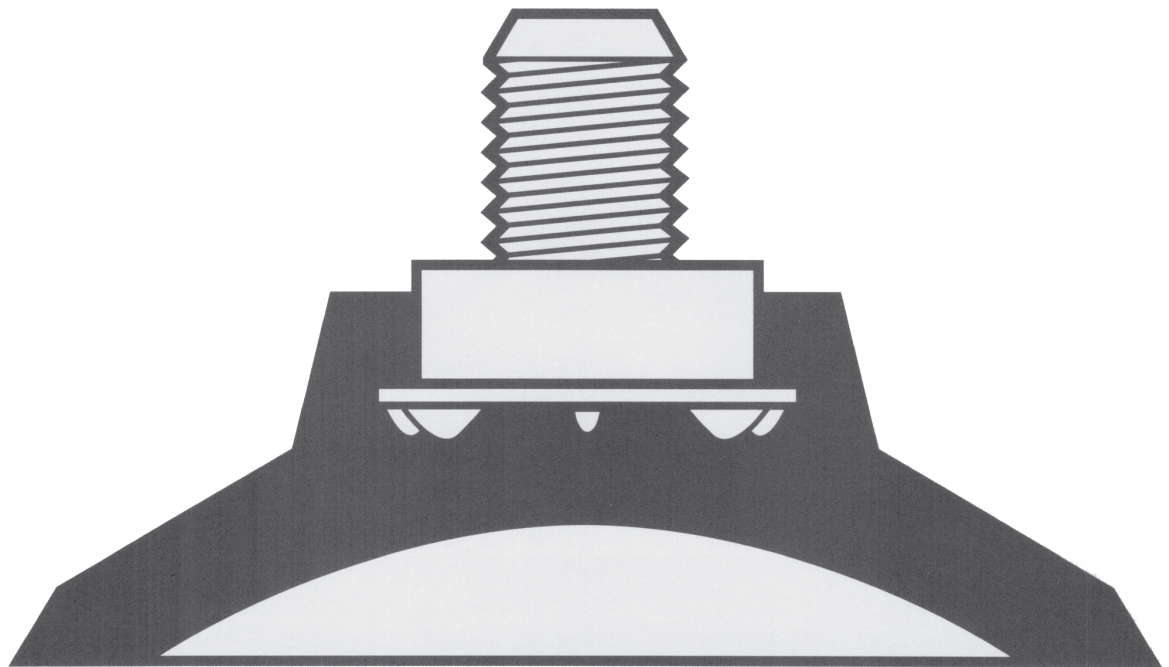


Pg. 72

**Rubber
Suction Cups**



Pg. 73



MATERIAL-HANDLING SUCTION CUPS



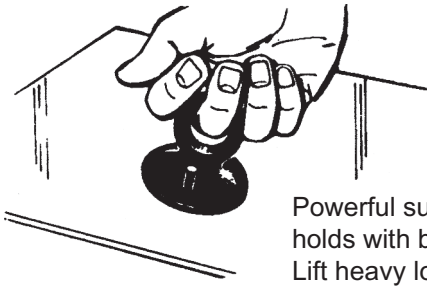
ILLUSTRATIONS BELOW NOT TO SCALE

THE LITTLE GRABBERS

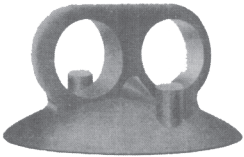
One- and two-finger tools for lifting light objects or raising corners. Always ready. Leave hand free for other work. Easy-release tabs.

- 14-1122 3 ¼" Cup
- 14-1123 2 ⅝" Cup
- 14-1124 2 ⅛" Cup*
- 14-1125 2 ⅛" Cup

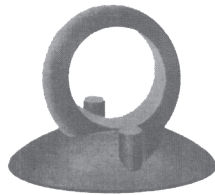
*Without release tabs



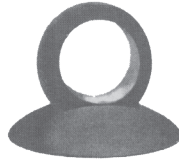
Powerful suction grips and holds with bulldog tenacity. Lift heavy loads with perfect safety.



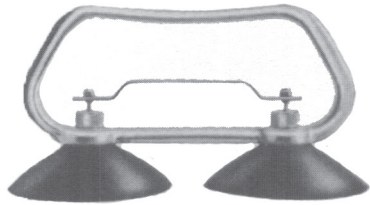
14-1122



14-1123
14-1125



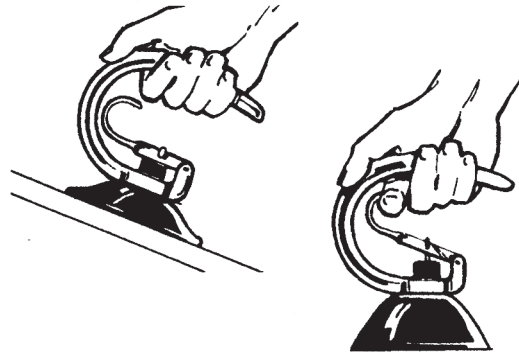
14-1124



HEAVY-DUTY DOUBLE CUP (SHEET METAL HANDLING TOOL)

Versatile one- or two-hand lifting. The 5" cups safely lift weights far beyond operator's normal capacity. Simultaneous trigger release.

- 14-1128 2 - 4" Cups
- 14-1129 2 - 5" Cups



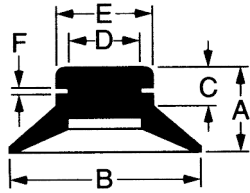
Press release button to disengage vacuum lifter instantly from load.

HEAVY-DUTY (SHEET METAL HANDLING TOOL)

Lifts heavy loads safely. Powerful suction grips material and holds until released by hand trigger. Use for loading, unloading, piling, and shifting sheet metal.

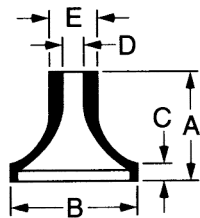
- 14-1126 4" Cup
- 14-1127 5" Cup

ILLUSTRATIONS BELOW NOT TO SCALE



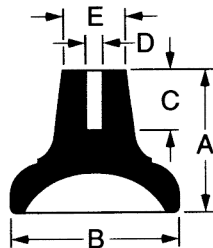
Suction Cups

Part #	A	B	C	D	E	F
14-1000	$\frac{7}{16}$	1	$\frac{1}{8}$	$\frac{3}{8}$	$\frac{1}{2}$	$\frac{1}{16}$
14-1001	$\frac{7}{16}$	$1\frac{19}{32}$	$\frac{7}{32}$	$\frac{1}{4}$	$\frac{5}{16}$	$\frac{3}{64}$
14-1002	$\frac{7}{16}$	1	$\frac{1}{8}$	$\frac{3}{8}$	$\frac{1}{2}$	$\frac{1}{32}$
14-1003	$\frac{7}{16}$	1	$\frac{9}{32}$	$\frac{3}{8}$	$\frac{1}{2}$	$\frac{3}{32}$
14-1004	$\frac{7}{16}$	1	$\frac{9}{32}$	$\frac{3}{8}$	$\frac{1}{2}$	$\frac{1}{32}$
14-1005	$\frac{7}{16}$	1	$\frac{1}{8}$	$\frac{3}{8}$	$\frac{1}{2}$	$\frac{3}{32}$



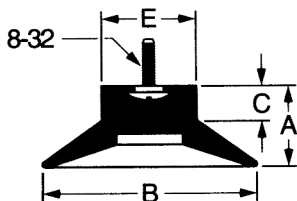
Suction Cups

Part #	A	B	C	D	E
14-2000	.595	.671	.156	.109	.250
14-2001	$\frac{9}{16}$	$\frac{5}{8}$	$\frac{9}{16}$	$\frac{7}{64}$	$\frac{1}{4}$
14-2002	.708	$1\frac{3}{8}$		$\frac{5}{8}$	$\frac{5}{8}$



Suction Cups

Part #	A	B	C	D	E
14-3000	$\frac{3}{4}$	$\frac{7}{8}$	$\frac{5}{16}$		$\frac{3}{8}$
14-3001	$\frac{7}{16}$	$1\frac{19}{32}$	$\frac{7}{32}$		$\frac{5}{16}$
14-3002	$\frac{3}{4}$	$\frac{7}{8}$	$\frac{5}{16}$	$\frac{7}{64}$	$\frac{3}{8}$



Suction Cups

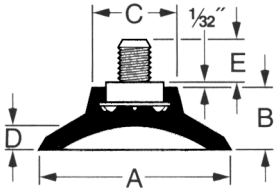
Part #	A	B	C	E
14-4000	$\frac{7}{16}$	1	$\frac{3}{16}$	$\frac{1}{2}$
14-4001	$\frac{7}{16}$	1	$\frac{3}{16}$	$\frac{1}{2}$
14-4002	$1\frac{17}{32}$	$1\frac{1}{4}$	$\frac{3}{16}$	$\frac{5}{8}$
14-4003	$\frac{1}{2}$	$1\frac{3}{8}$	$\frac{5}{32}$	$\frac{5}{8}$

Longwood can custom-mold suction cups to your specifications!

RUBBER SUCTION CUPS

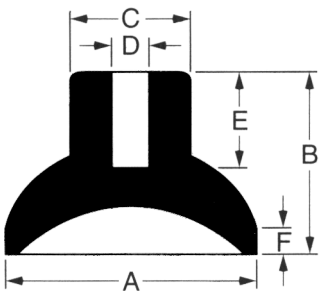


ILLUSTRATIONS BELOW NOT TO SCALE



Machine Screw Type Suction Cups

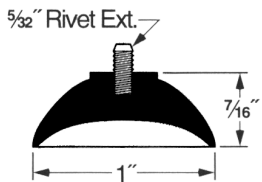
Part #	A	B	C	D	E
14-5000	1	5/16	7/16	1/8	1/4
14-5001	1 3/8	1/2	1/2	1/4	3/8
14-5002	1 1/2	1/2	1/2	1/4	3/8



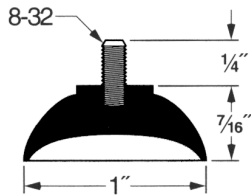
Hollow Stem Type Suction Cups

Part #	A	B	C	D	E	F
14-6000	1 5/16	1 1/16	7/16	13/64	1/4	11/64
14-6001	1 5/16	1 5/16	5/8	3/32	3/8	1/4
14-6003	1 5/16	1 5/16	5/8	1/4	1/2	1/4
14-6005	1 1/4	1 1/8	5/8	9/32	5/8	1/4

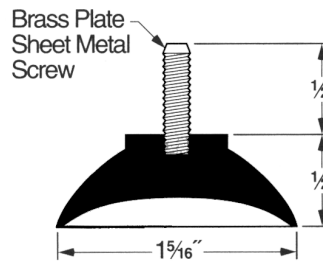
14-5100



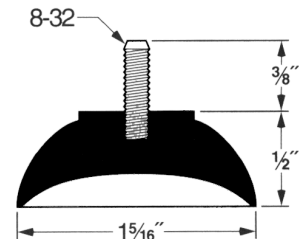
14-5101



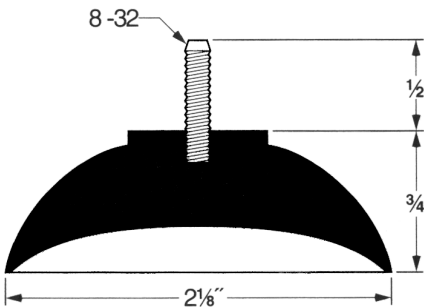
14-5102



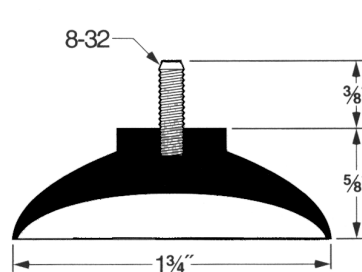
14-5103



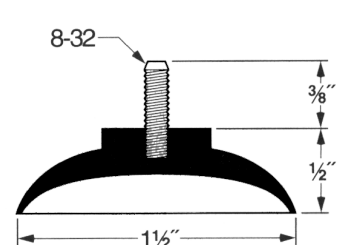
14-5104



14-5105



14-5106



ILLUSTRATIONS BELOW NOT TO SCALE

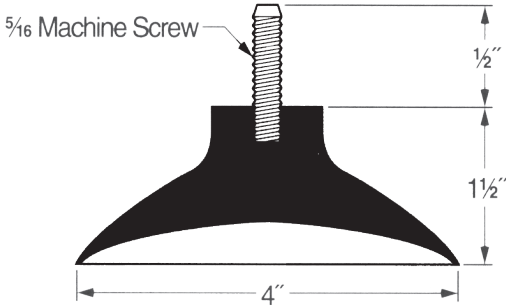
<p>14-5113</p>	<p>14-5114</p>	<p>14-5115</p>	
<p>14-5116</p>	<p>14-1101</p>	<p>14-1103</p>	<p>14-1110</p>
<p>14-1109</p>	<p>14-1106</p>	<p>14-1107</p>	<p>14-1104</p>
<p>14-1102</p>	<p>14-1108</p>	<p>14-1105</p>	<p>Call us at: 1-800-829-7231</p> <p>OR</p> <p>Fax to: 336-272-5619</p>

RUBBER SUCTION CUPS

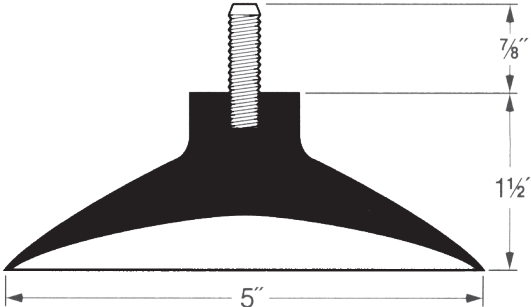


ILLUSTRATIONS BELOW NOT TO SCALE

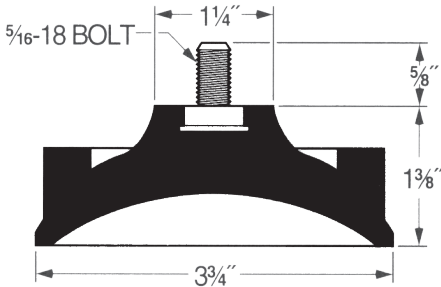
14-5107



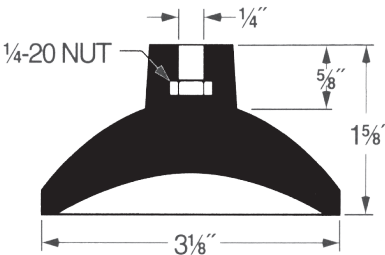
14-5108



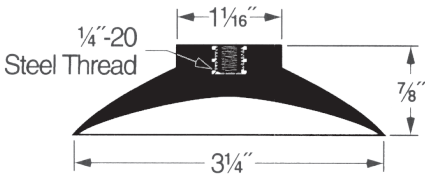
14-5109



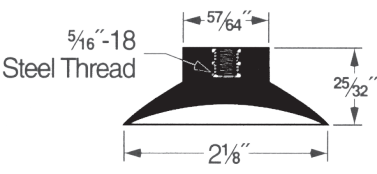
14-5110



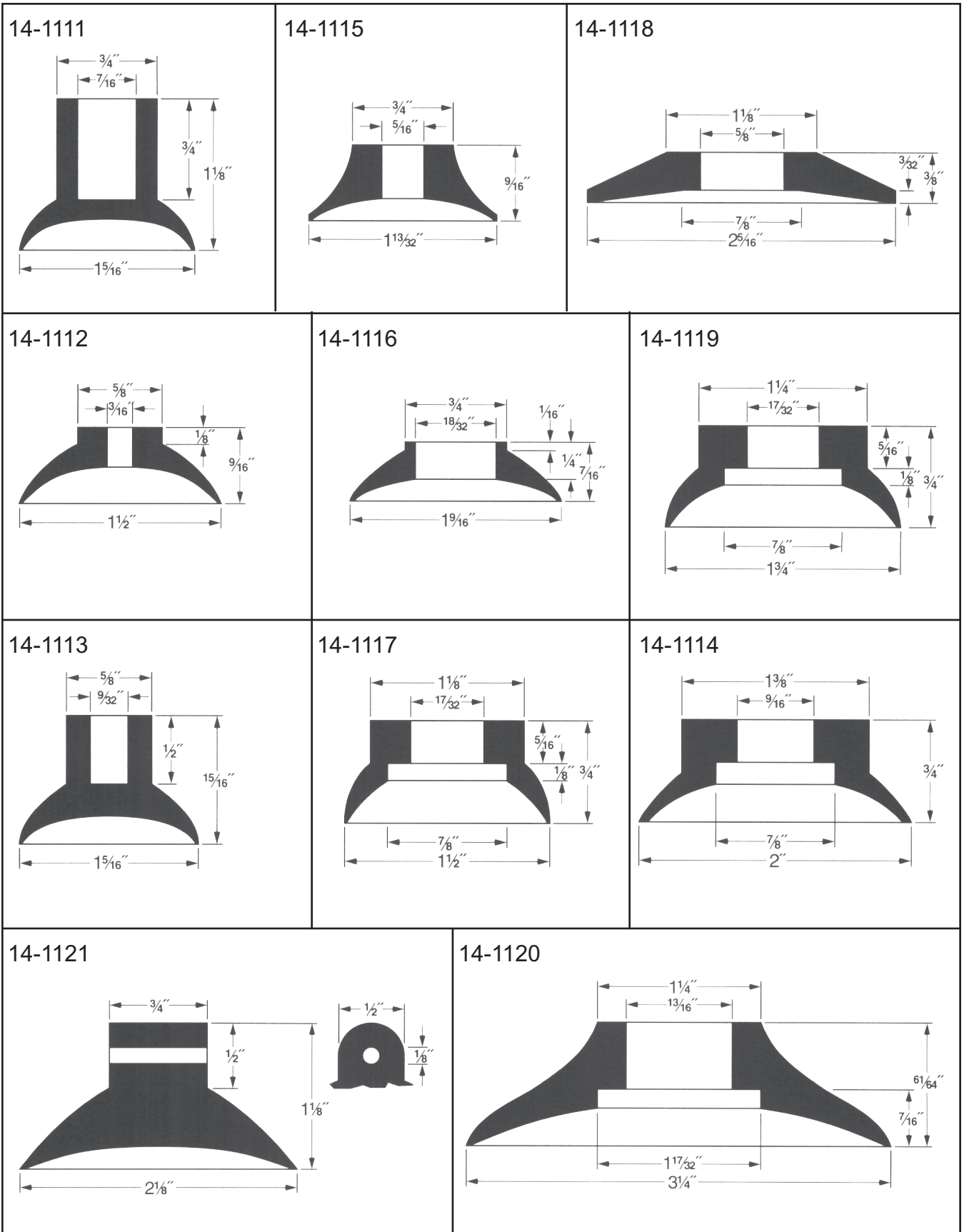
14-5111



14-5112



ILLUSTRATIONS BELOW NOT TO SCALE

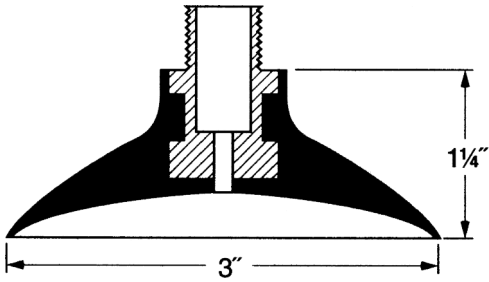


RUBBER SUCTION CUPS

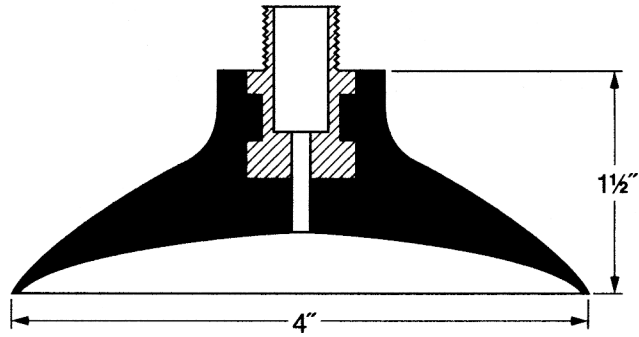


ILLUSTRATIONS BELOW NOT TO SCALE

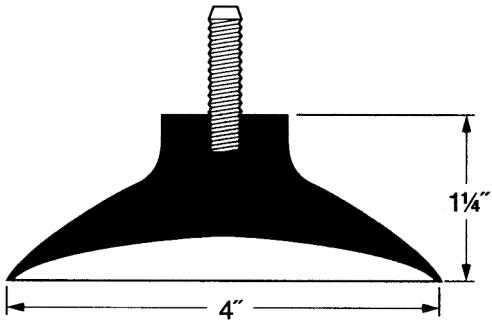
14-6668R-3



14-6668R-4



14-6668R



Call us at:
1-800-829-7231

— or —

Fax to:
336-272-5619